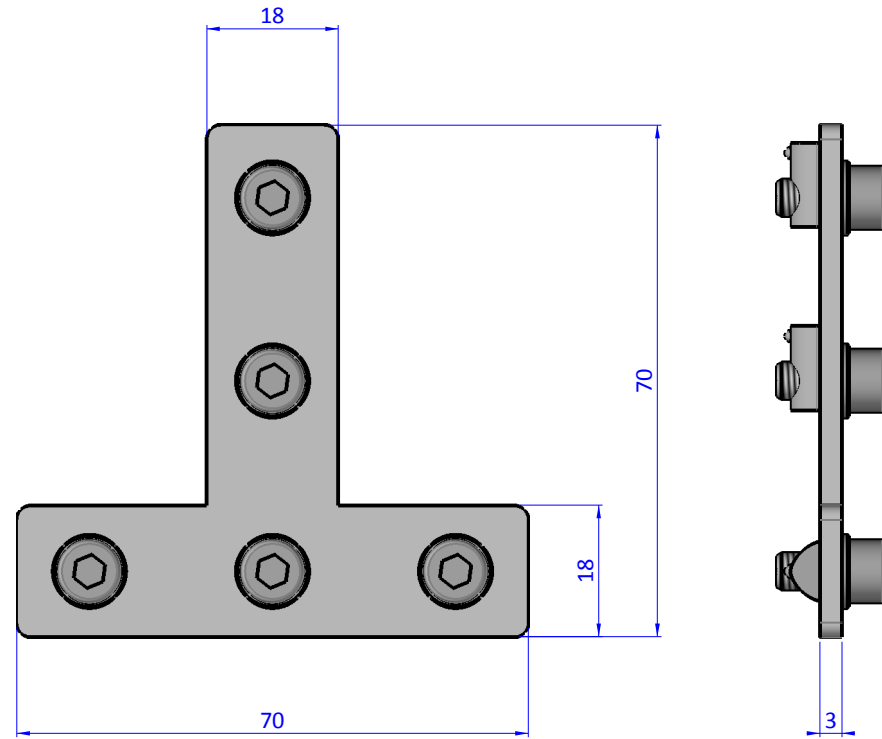
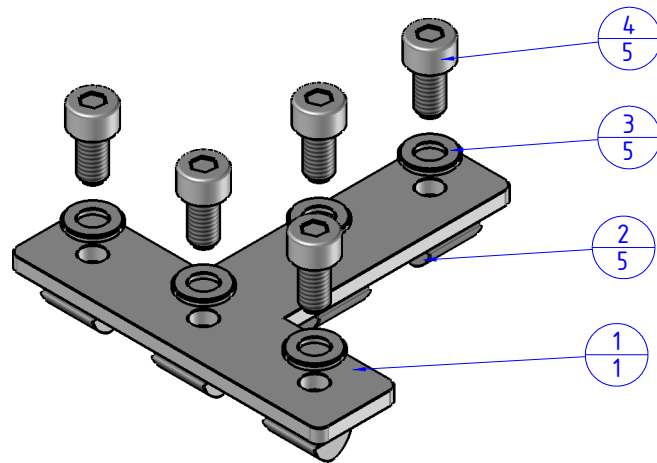


THE PROPERTY OF THE DRAWING IS ESTABLISHED BY LAW. IT IS FORBIDDEN TO PRODUCE OR SHOW IT TO THIRD PART, WITHOUT A WRITTEN AGREEMENT.

Object Number	Name	QTY
1	03.10.004	1
2	02.05.003	5
3	R.5	5
4	V.TCE5x10	5



Format A3

UNI 936-76

		DESIGNED FROM		REVIEW
		FPS Automation		A
GENERAL TOLERANCE		DATE	WEIGHT	
UNI - ISO 2768		28/05/2018	0,078kg	
CLASSE f		CODE		
		CA.03.10.004		CA.03.10.004